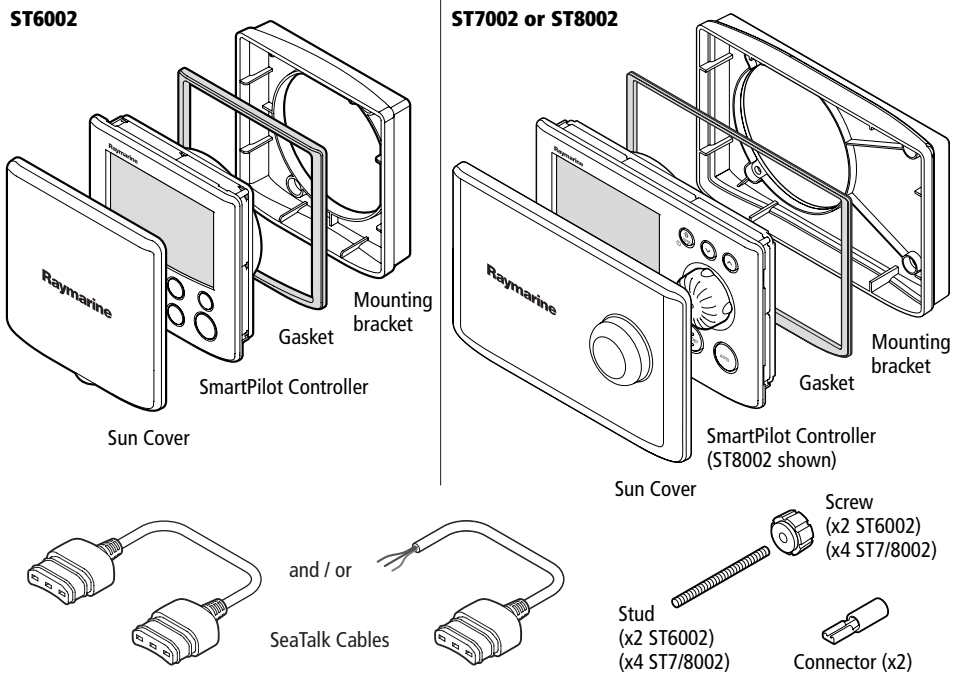


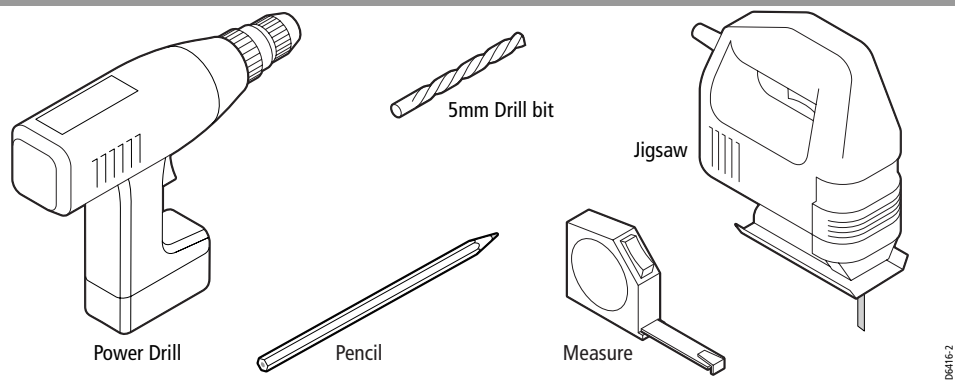
SMARTPILOT FLUSH MOUNT CONTROLLER INSTALLATION GUIDE

Raymarine
www.raymarine.com

Parts supplied



Tools required

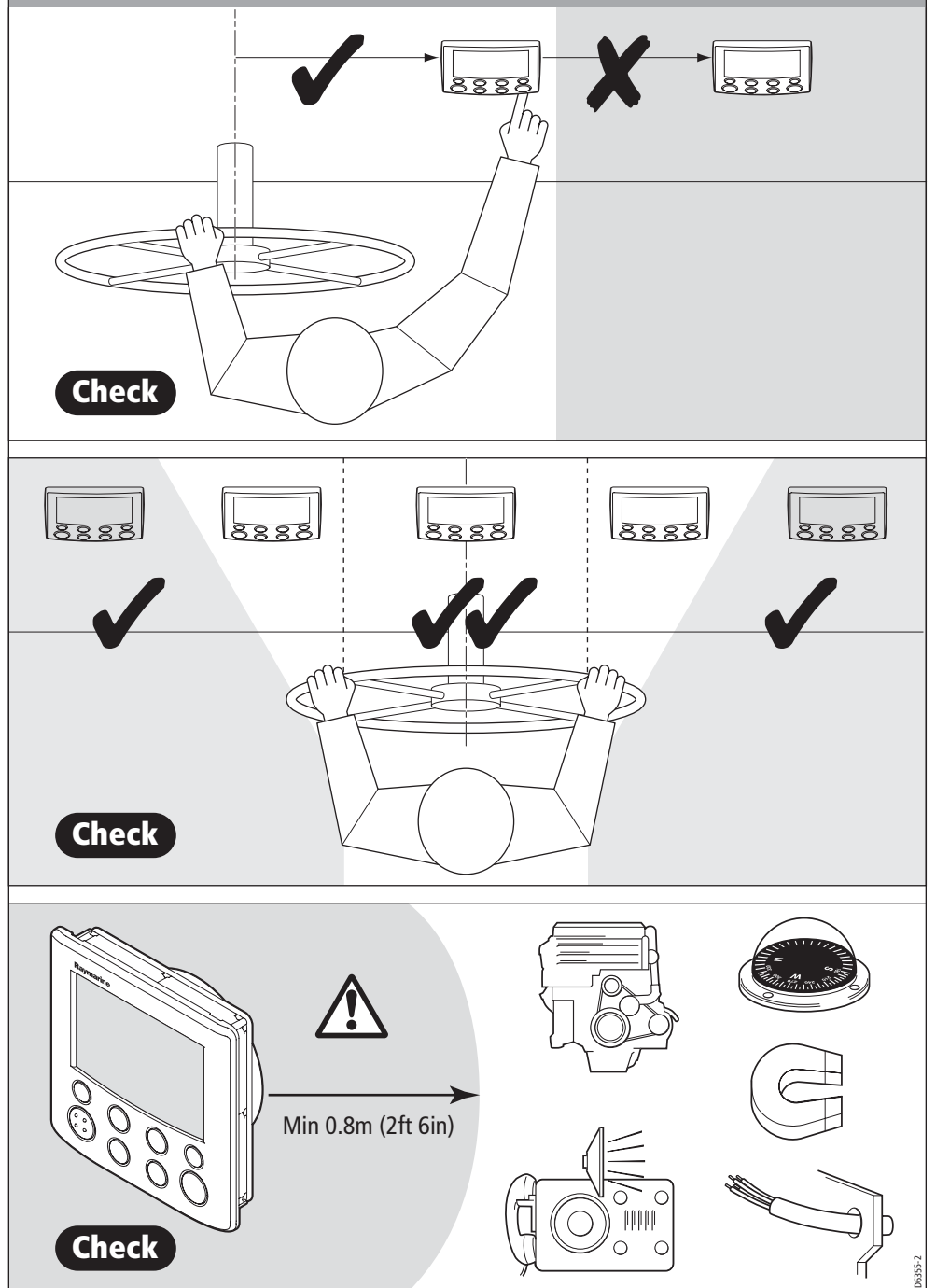


Raymarine Ltd, Portsmouth, Hampshire, UK PO3 5TD
Raymarine Inc. Merrimack, NH, 03054-4801, US
Recyclable Material - Please dispose of responsibly.

+44 (0) 23 9269 3611
Toll Free: 800-539-5539
+1 603-881-5200

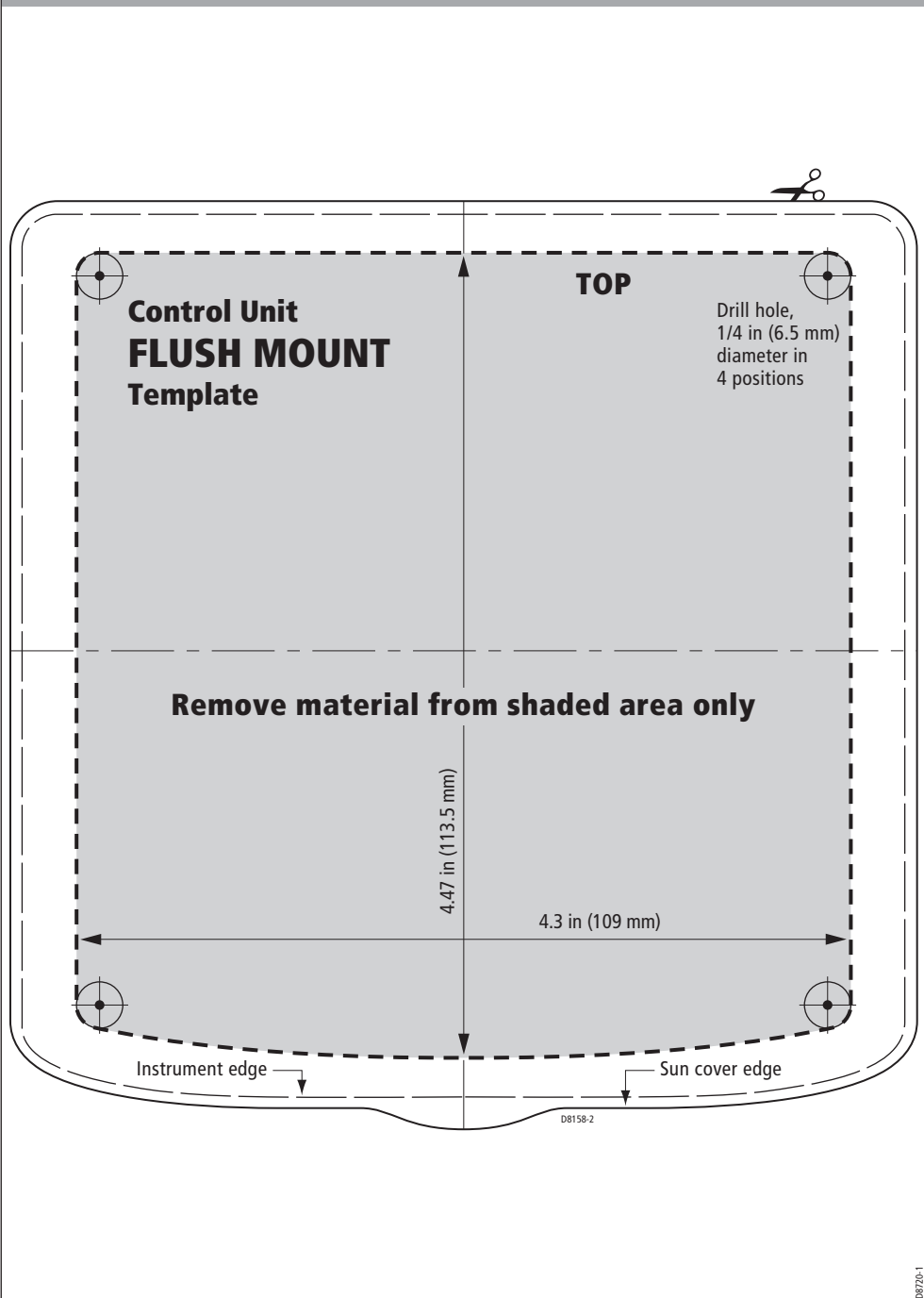
87059-1

Site requirements



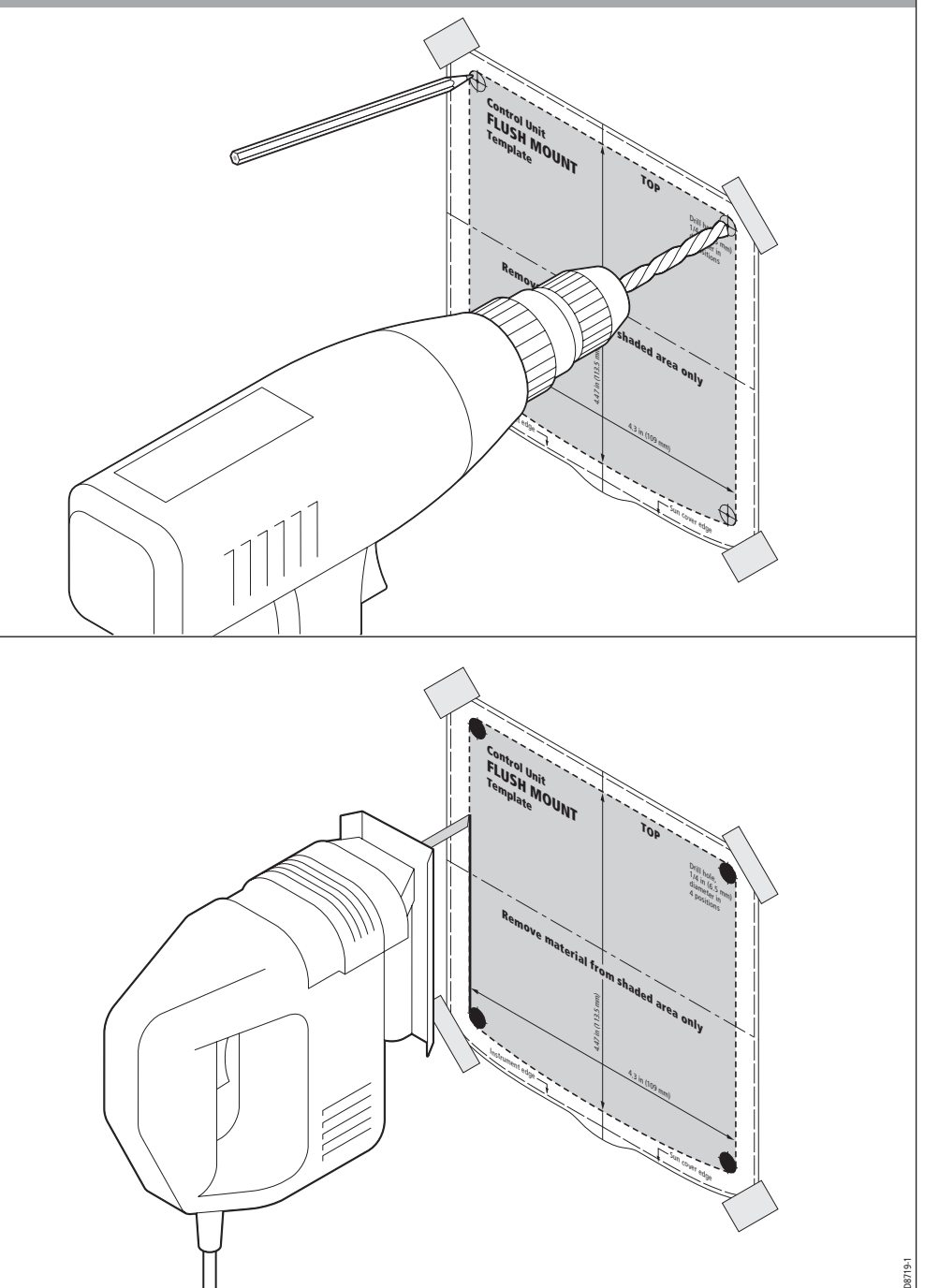
06355-2

ST6002 flush mount template



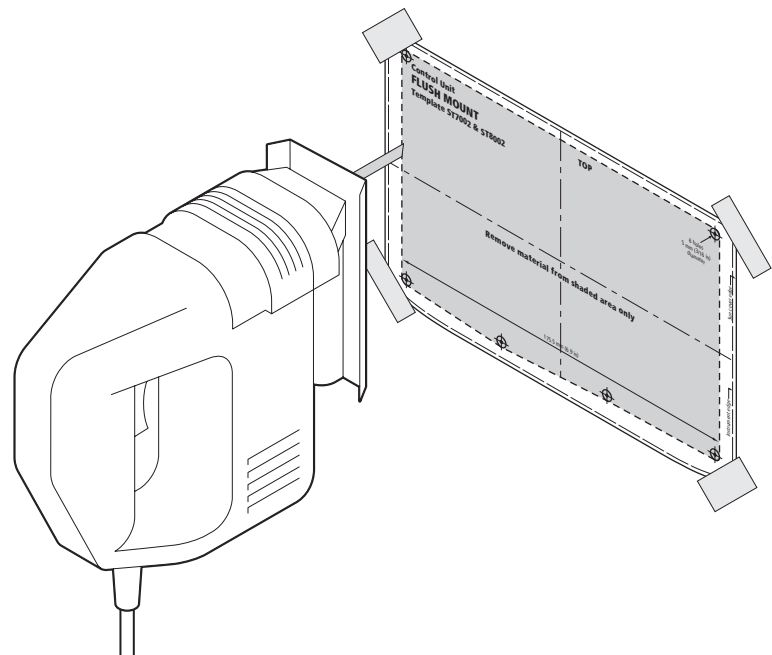
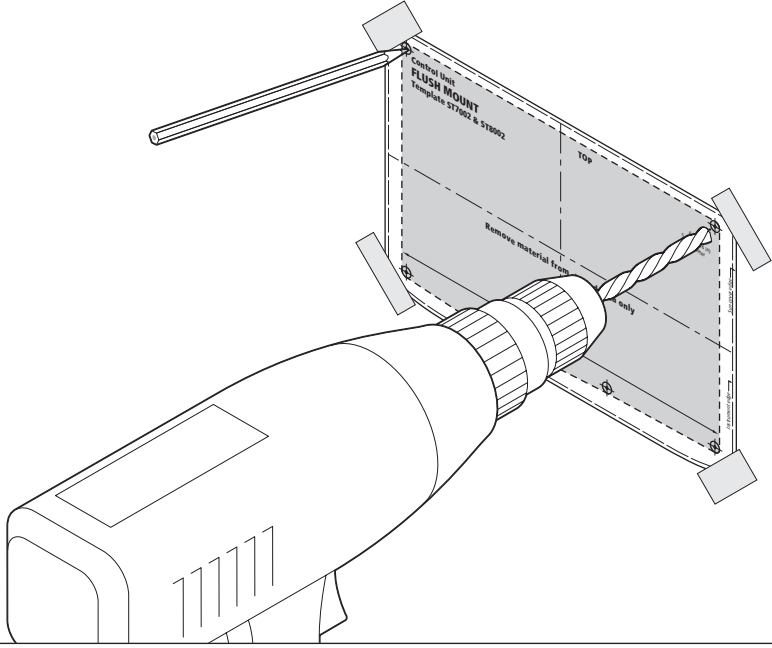
08705-1

ST6002 controller - Step 1



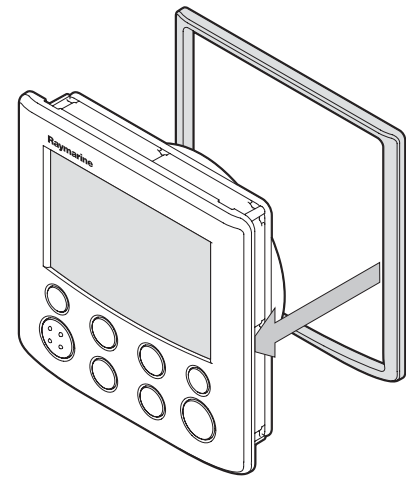
08719-1

ST7002 and ST8002 controller - Step 1

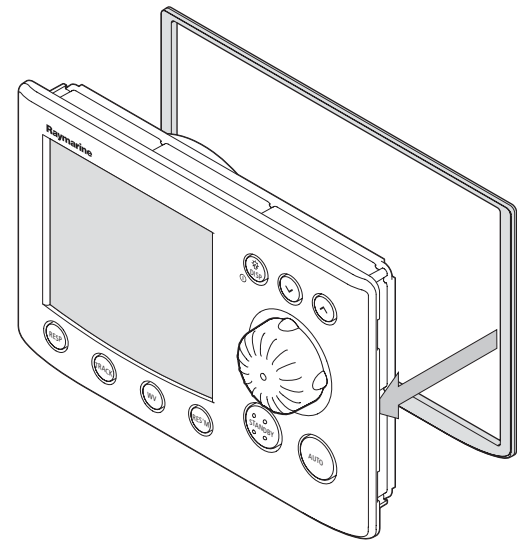


DB712-1

ST6002 - Step 2

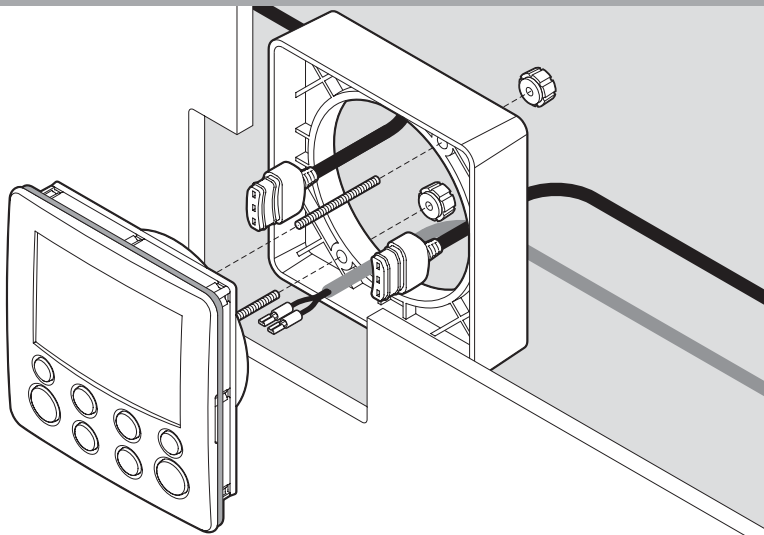


ST7002 and ST8002 - Step 2

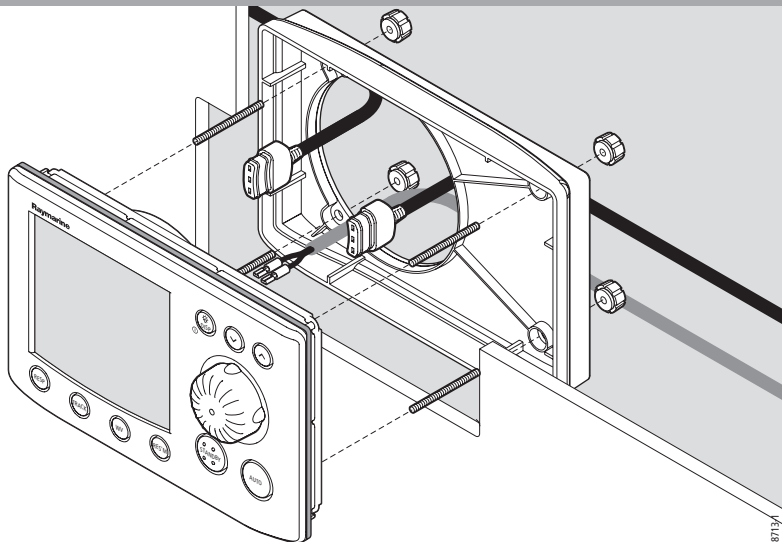


D6418-2

ST6002 - Step 3



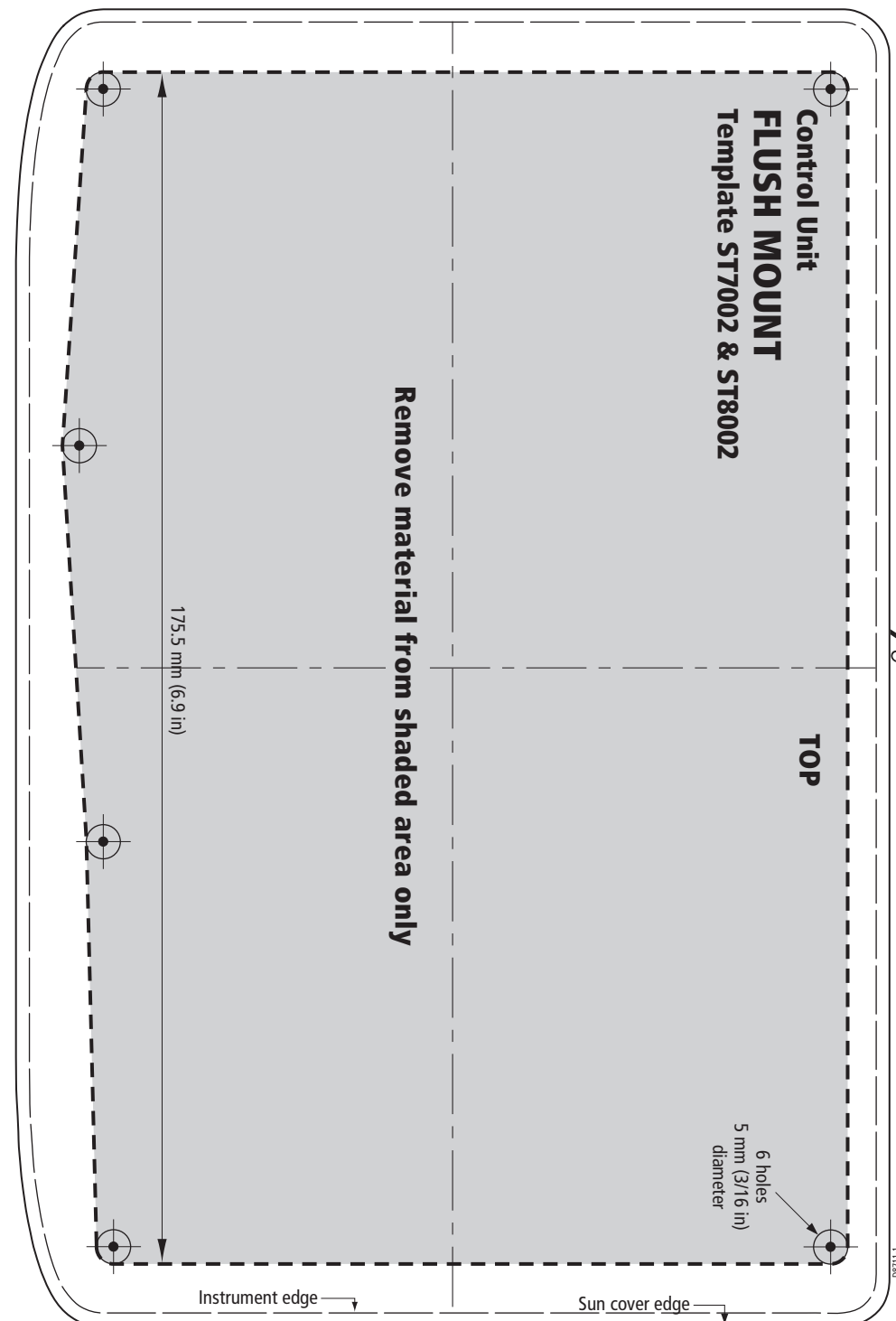
ST7002 and ST8002 - Step 3



A1130

Refer to Autopilot Manual
 Se référer au manuel de pilote automatique
 Siehe Handbuch Autopilot
 Refiérase al manual del piloto
 Fare riferimento al manuale dell'autopilota

D6275-1



DB711-1